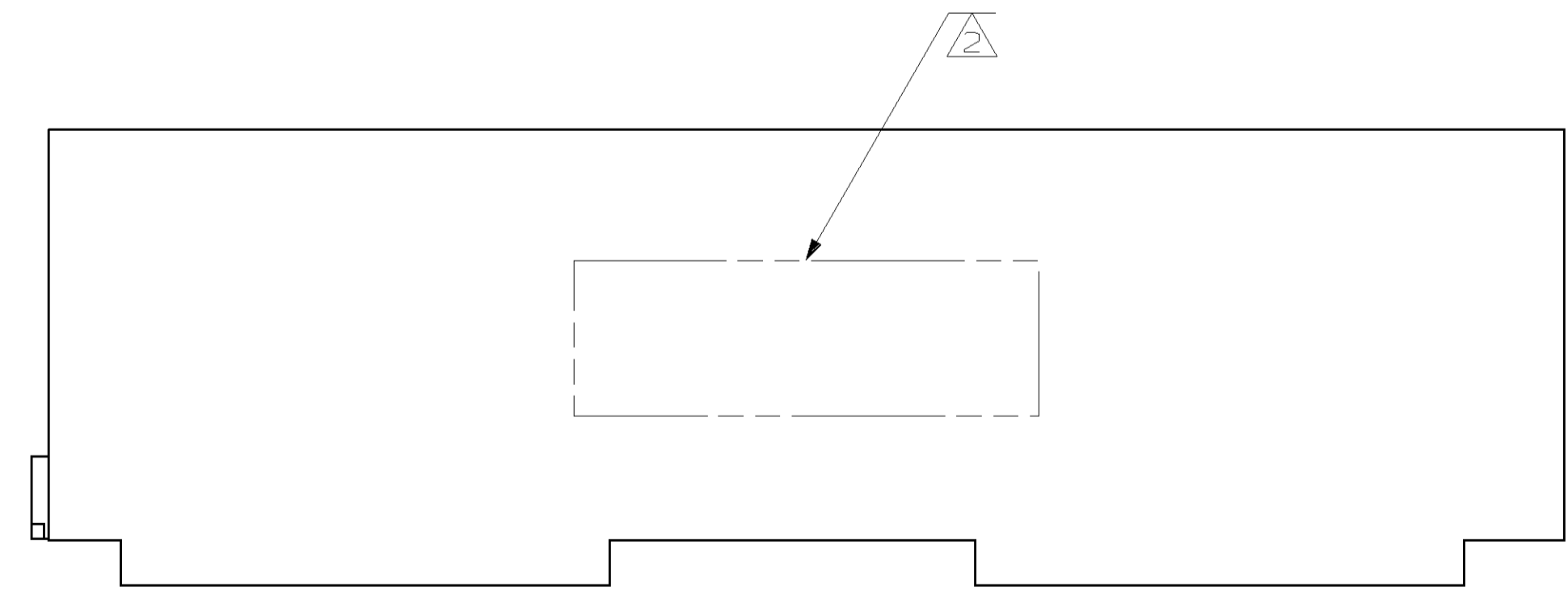
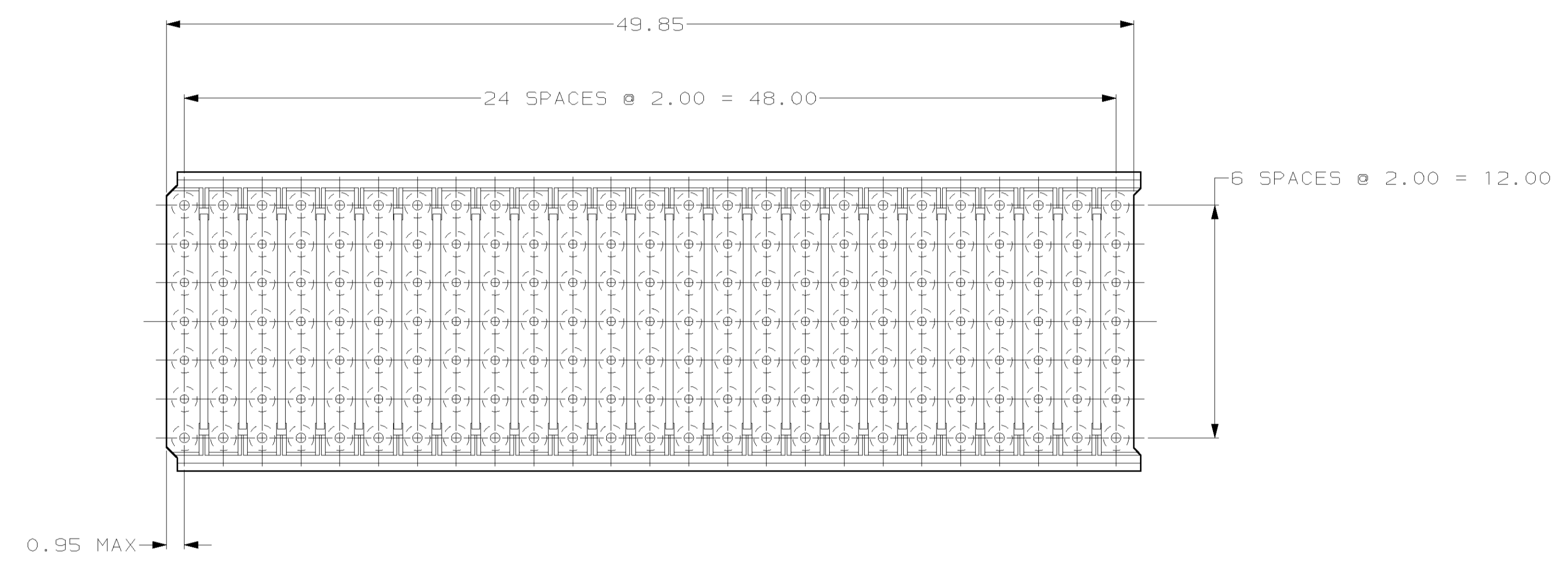
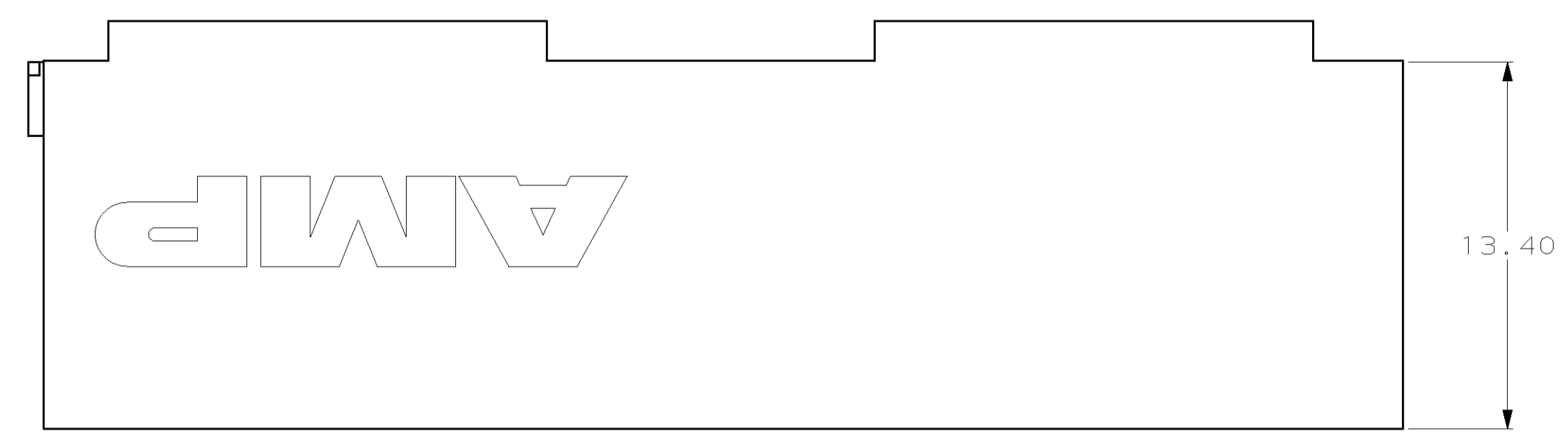
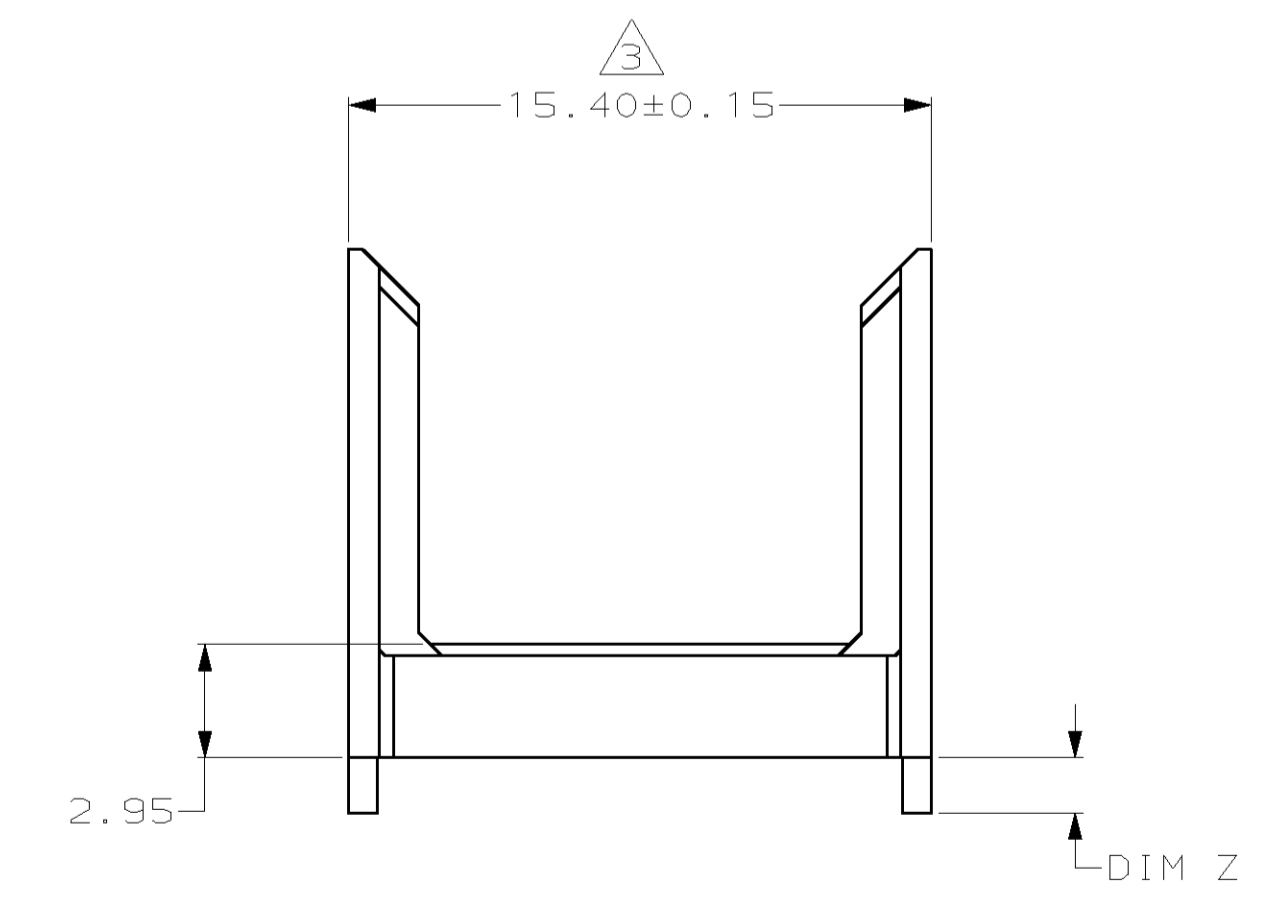


LOC	DIST	REVISIONS			
F	CHR	DESCRIPTION	DATE	ENR	APVD
AD	47	B	REVISE PER ECN 0U1B-0389-00	22JAN01	SU RP
		C	REV PER EC 0U1B-0192-01	27 JUN 01	BC RP



- ⚠ MATERIAL: GLASS FILLED POLYESTER.
- ⚠ PART NUMBER MARKED IN APPROXIMATE AREA SHOWN.
- ⚠ TO BE MEASURED AT BASE OF SHROUD.



1.90	646479-7
1.70	646479-6
1.50	646479-5
1.30	646479-4
1.10	646479-3
0.90	646479-2
-----	646479-1
DIM Z	PART NUMBER

THIS DRAWING IS A CONTROLLED DOCUMENT.

DRAWN T. SHUEY 11-23-98	6-16-98	AMP Incorporated Harrisburg, PA 17105-3608
CHECKED G. SKIPPER 11-23-98		
DIMENSIONS: mm	TOLERANCES UNLESS OTHERWISE SPECIFIED:	NAME SHROUD, TYPE B, Z-PACK 2mm HM, 5 ROW, 175 POSITION
0 PLC ± 1 PLC ± 2 PLC ±0.05 3 PLC ± 4 PLC ± ANGLES ±	PRODUCT SPEC APPLICATION SPEC WEIGHT CUSTOMER DRAWING	SIZE A1 00779
MATERIAL ⚠	FINISH	SCALE 5:1 SHEET 1 OF 1 REV C